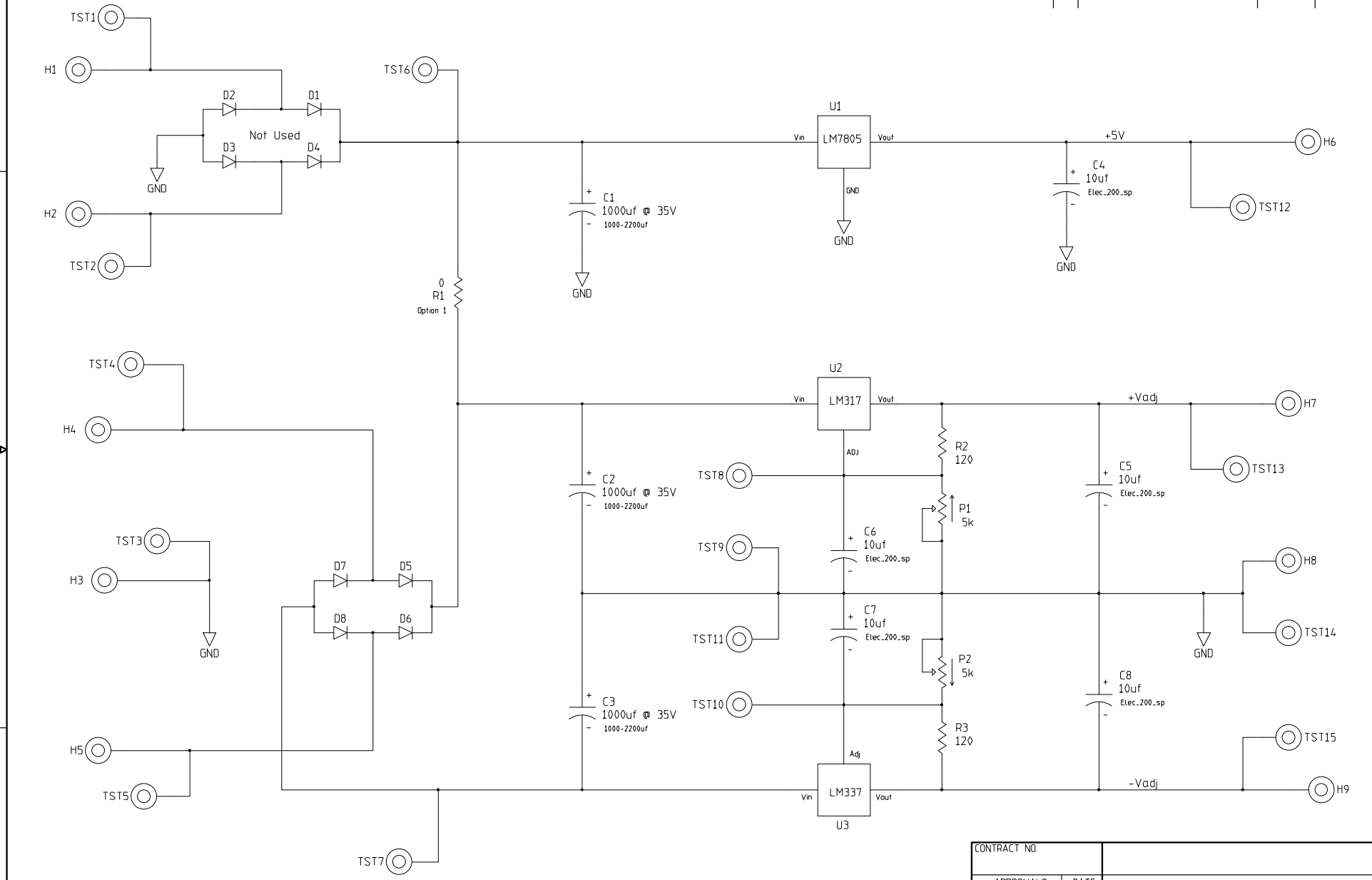


REVISIONS			
REV	DESCRIPTION	DATE	APPROVED



CONTRACT NO.			
APPROVALS	DATE	EE330L Power Supply	
DRAWN J. Kennedy	1/11/2002	SIZE C	FSCM NO.
CHECKED		DWG. NO.	REV C
ISSUED		SCALE	SHEET