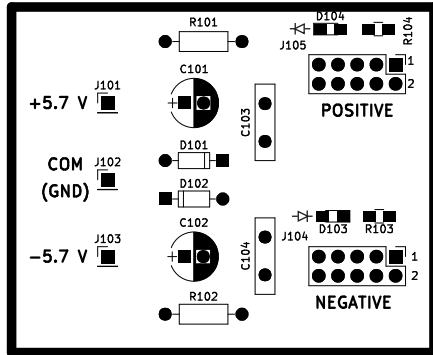


# LED Orientation Helper

EE 430 LAB PCB  
SDSU – REVISION D

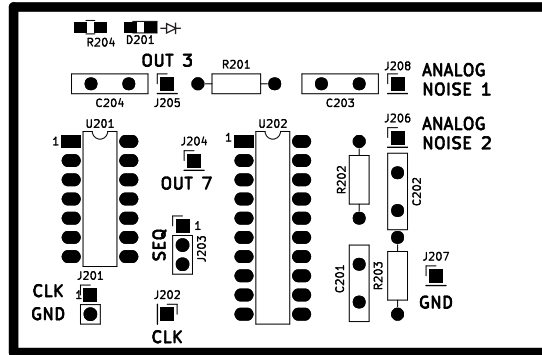
POWER FILTERING AND DISTRIBUTION



J110  
GND

J111  
GND

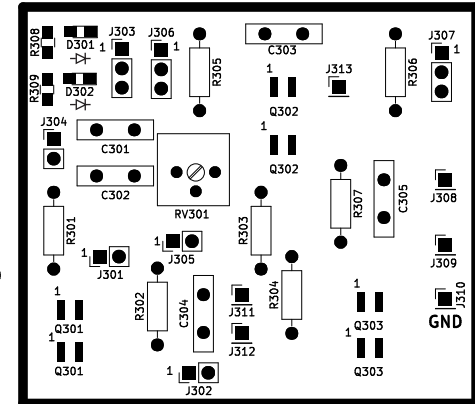
LAB #1 – REVIEW OF LAB SKILLS AND MEASUREMENTS



J112  
GND

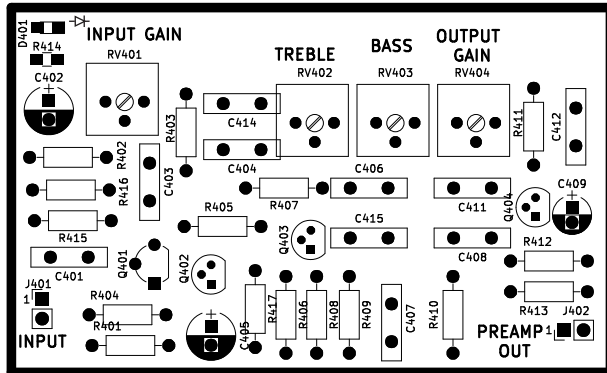
J113  
GND

LAB #2 – CURRENT MIRRORS AND DIFFERENTIAL AMPLIFIERS

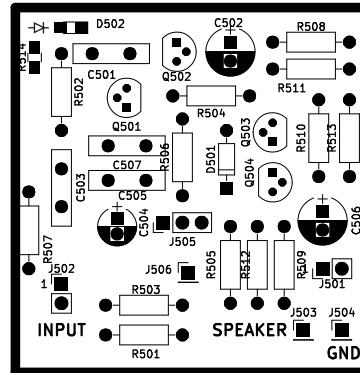


J114  
GND

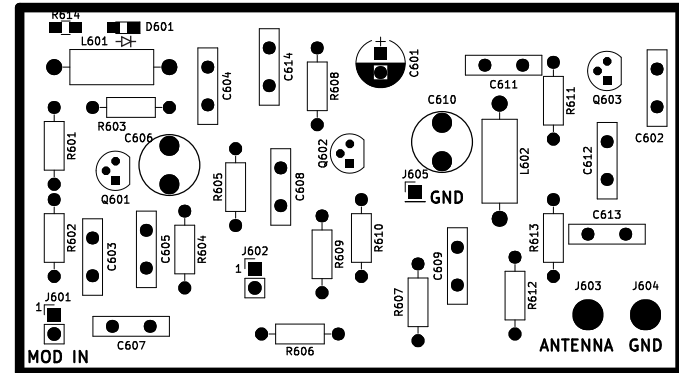
J115  
GND



LAB #4 – MULTISTAGE AMPLIFIER



LAB #3 – FEEDBACK POWER AMPLIFIER



LAB 5 – NONLINEAR TRANSISTOR CIRCUITS AND RADIO TRANSMISSION