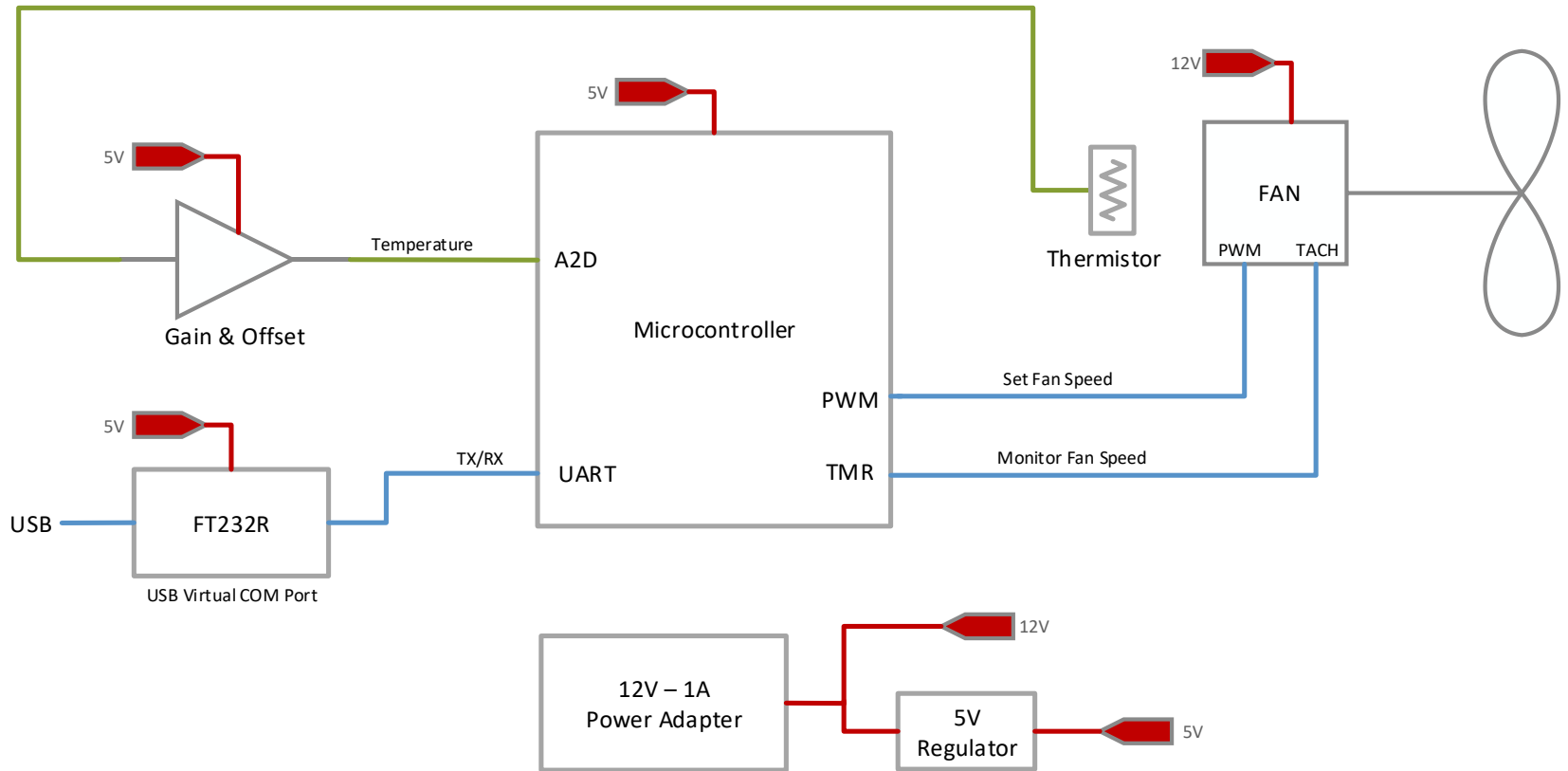


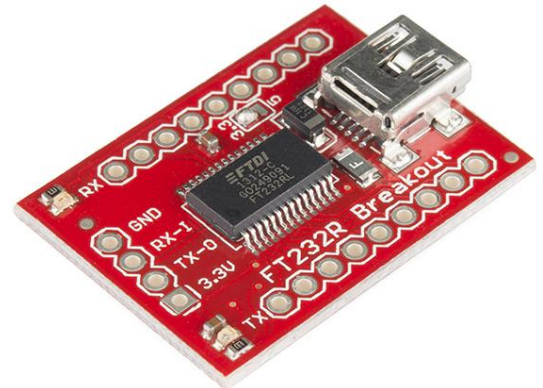
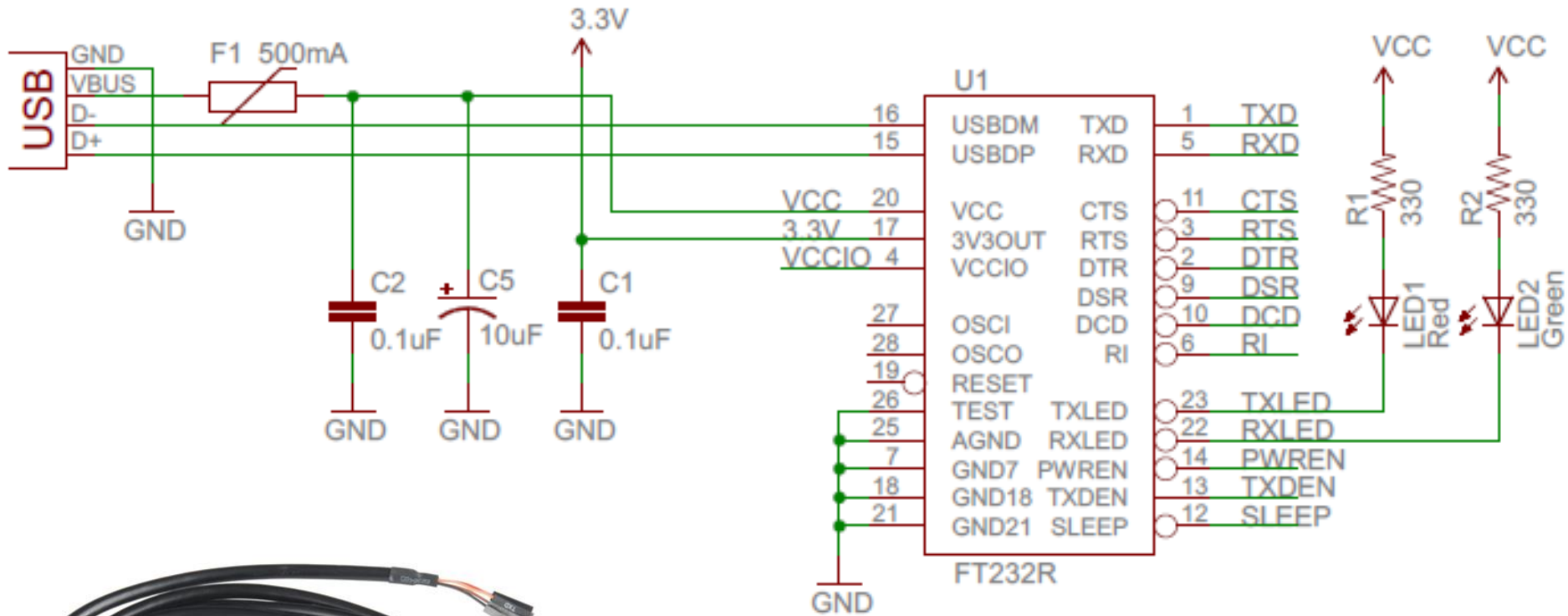
Mini-Project Proposal Prototyping & Debugging Electronic Systems

ECE Senior Design
14 March 2018

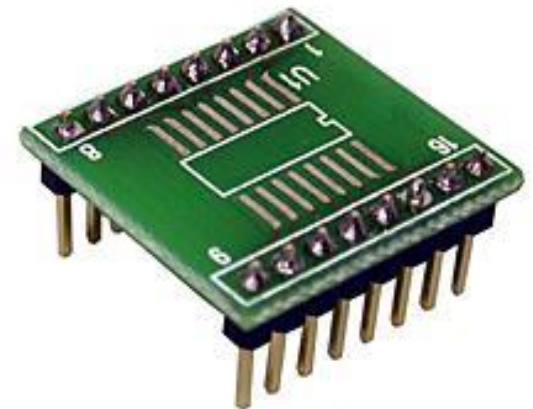
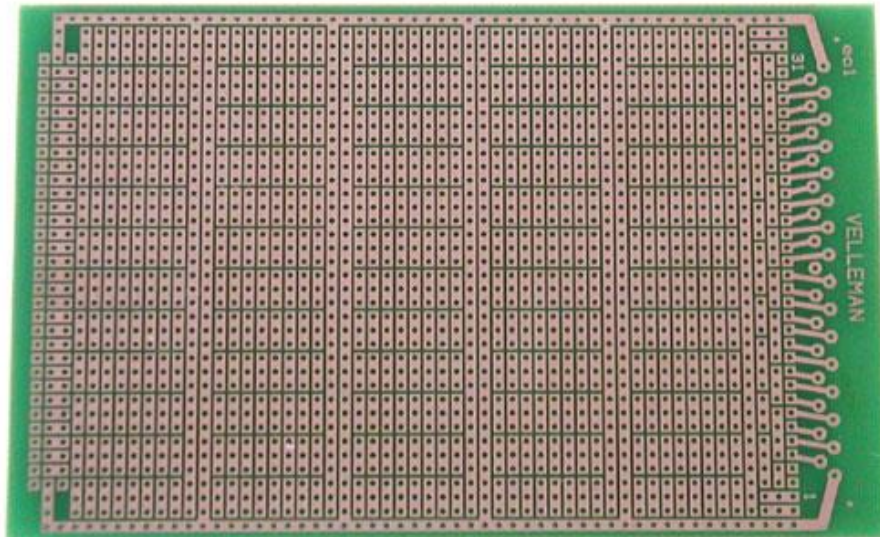
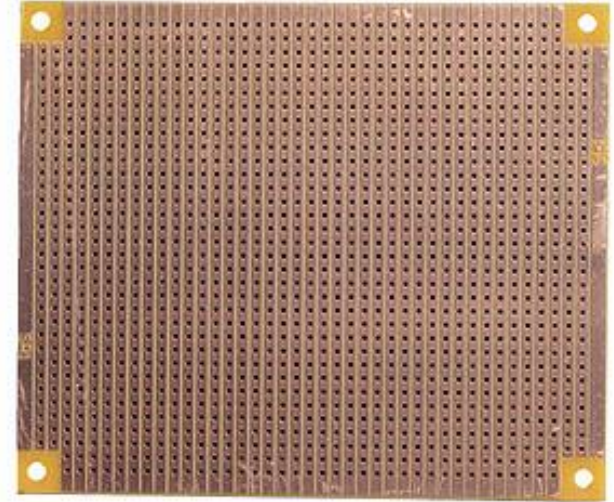
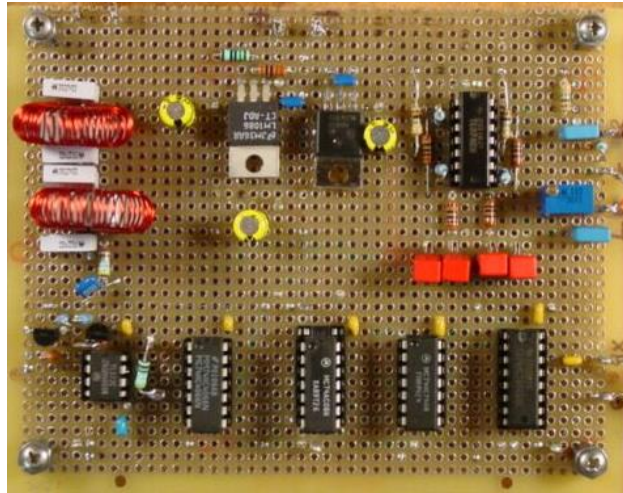
Proposal Sample Block Diagram



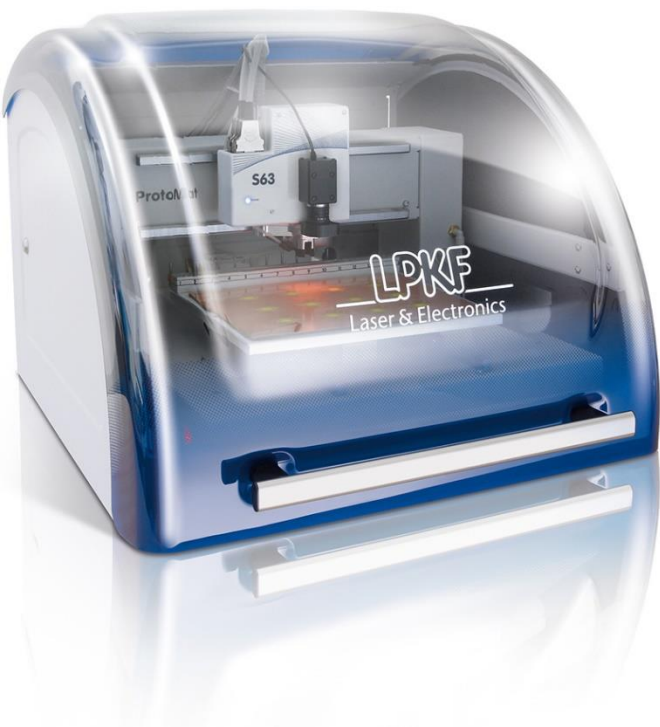
FTDI – FT232R



Prototyping on Perf-Board



Rapid Prototyping(LPKF)

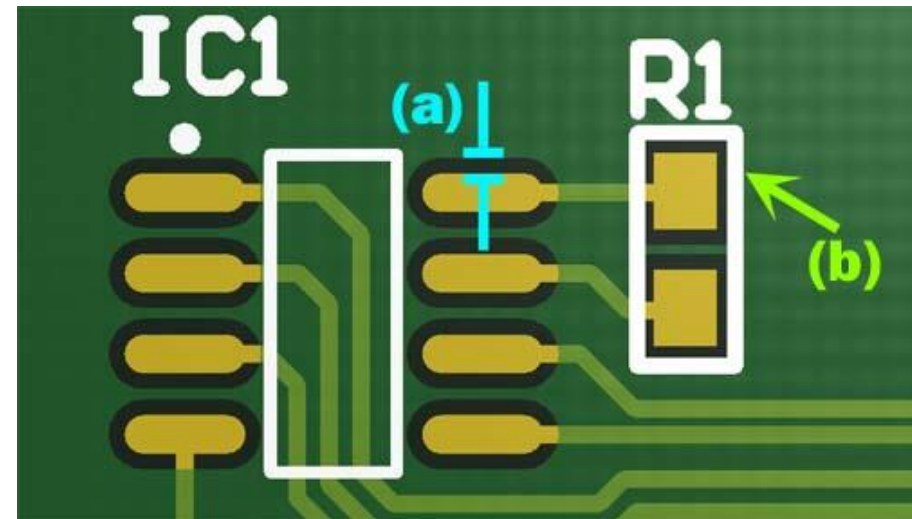


Rapid Prototyping PCB Problems

- No Through Hole Plating



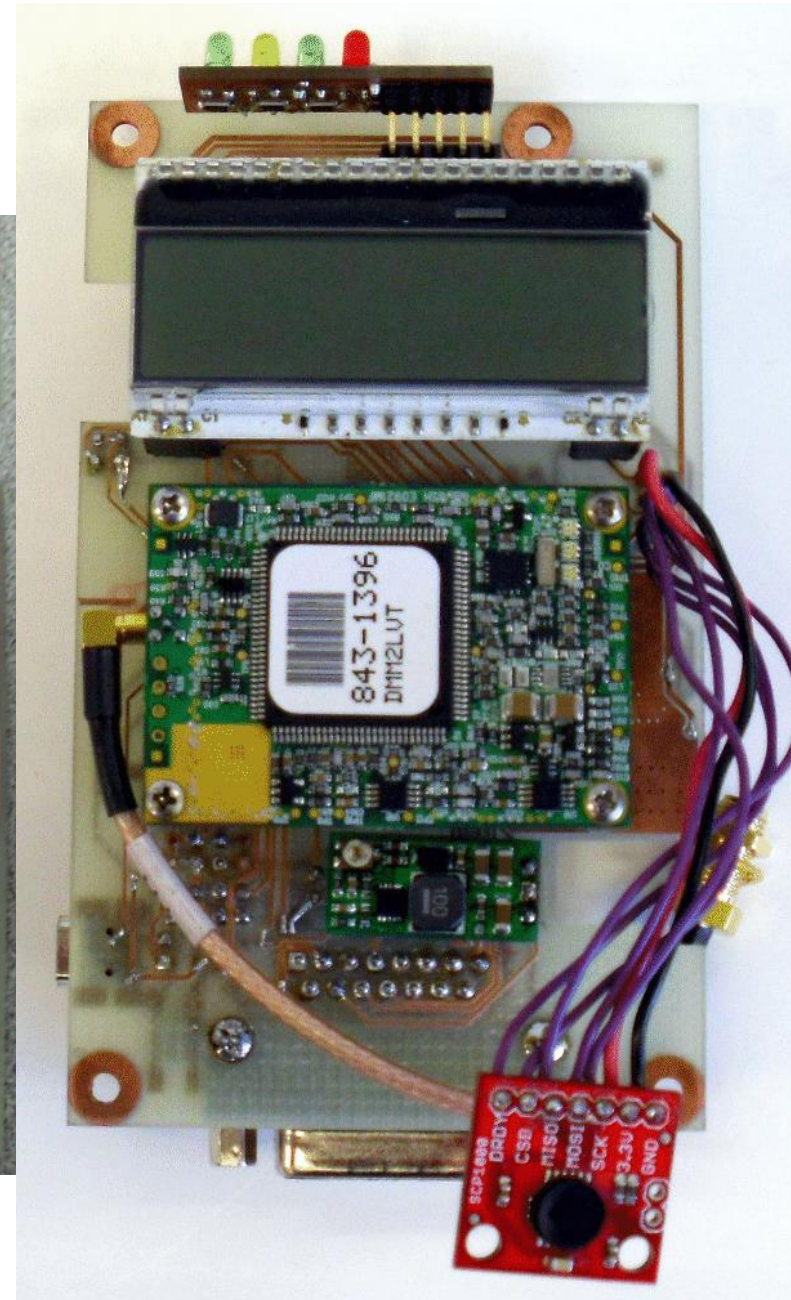
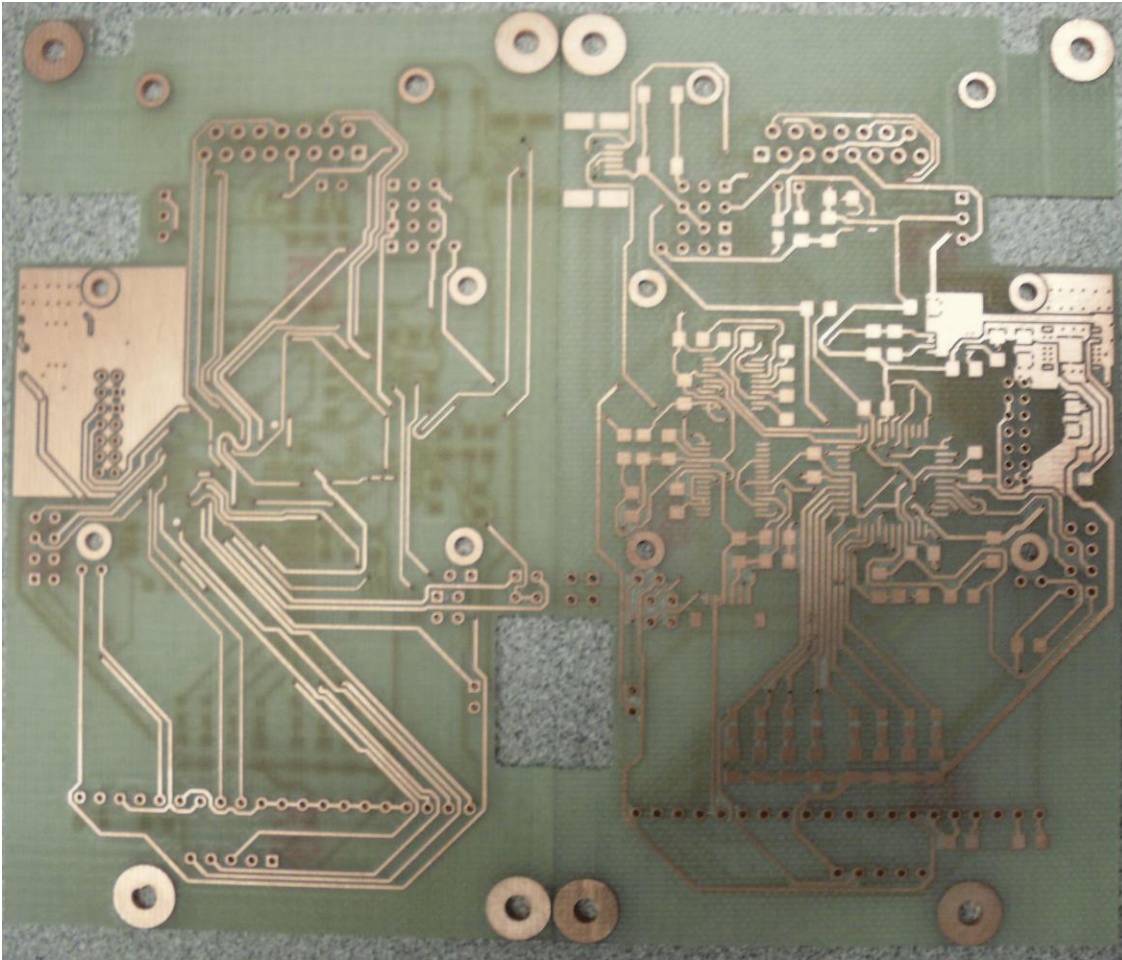
- No Silkscreen



- No Solder Mask

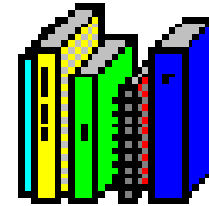
- Expensive machine and consumables

Sample LPKF PCBs

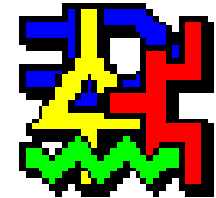


Schematic Capture to PCB Layout

- Creation of Parts (Library Editor)



- Schematic Capture (Design Capture)



- PCB Layout (Expedition PCB)

