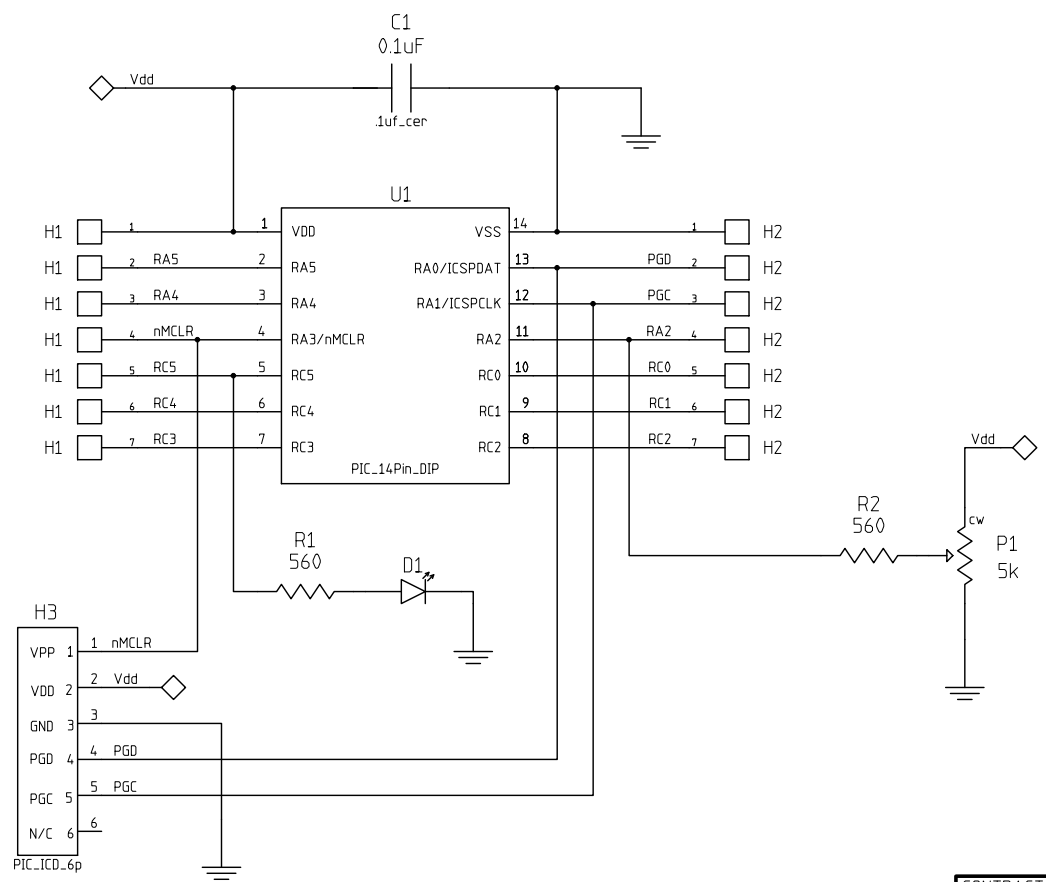


DWG. NO. _____ SH. _____ REV. _____

REVISIONS			
REV	DESCRIPTION	DATE	APPROVED



CONTRACT NO.			
APPROVALS	DATE	PIC Dev 14 Through Hole	
DRAWN			
CHECKED			
ISSUED		SIZE / SCM NO.	DWG. NO.
		B	
		SCALE	SHEET