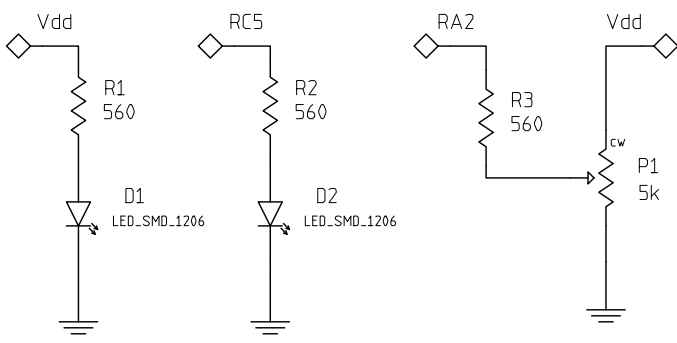
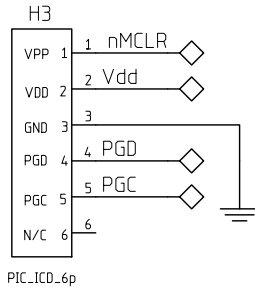
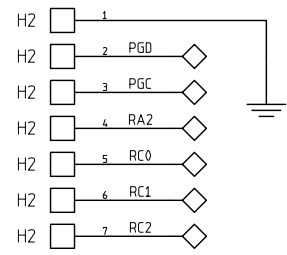
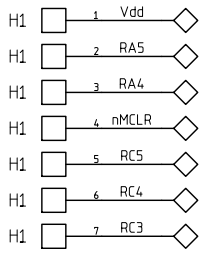
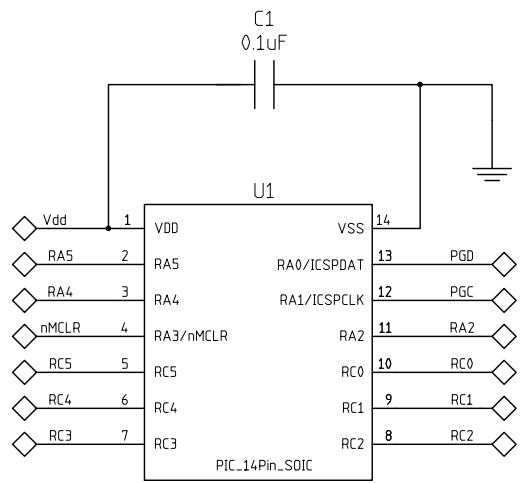


DWG. NO. SH. REV.

REVISIONS			
REV	DESCRIPTION	DATE	APPROVED



CONTRACT NO.		PIC Dev 14 SMD	
APPROVALS	DATE		
DRAWN		SIZE	FSCM NO.
CHECKED		DWG. NO.	
ISSUED		REV	
SCALE		SHEET	