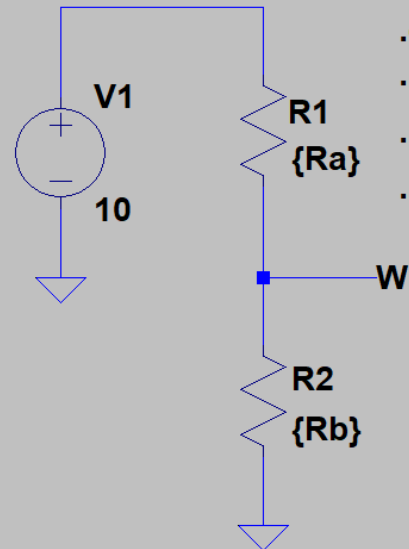


Swept Potentiometer



```
.op  
.param Ra=R*(Val/100)  
.param Rb=R*(1-Val/100)  
.param R=20k Val=50
```

```
.step param Val .1 99.9 10
```