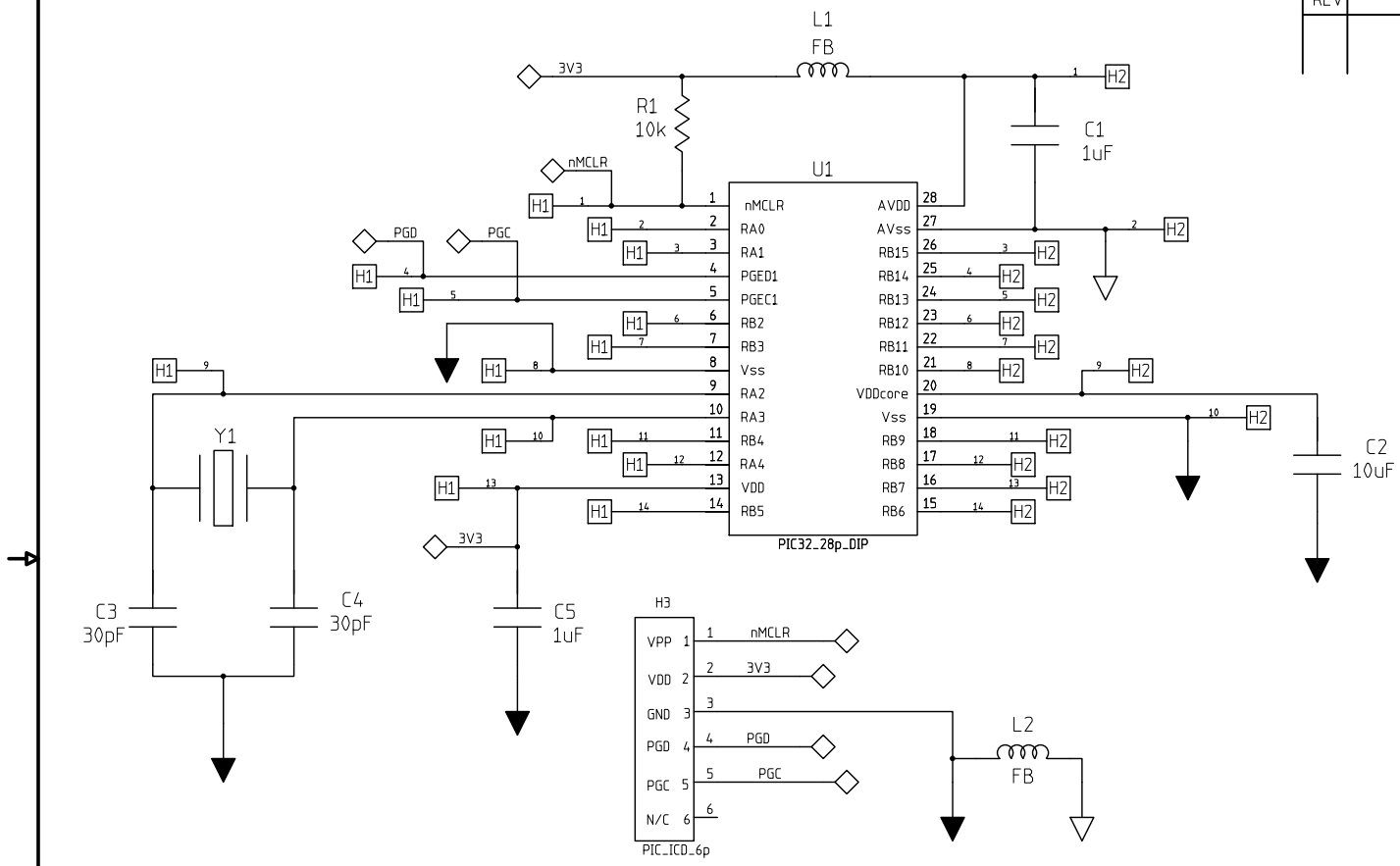


DWG. NO. _____ SH. _____ REV _____

REVISIONS			
REV	DESCRIPTION	DATE	APPROVED



CONTRACT NO.				
APPROVALS	DATE	28 Pin PIC Dev		
DRAWN				
CHECKED				
ISSUED				
		SIZE / SCM NO. B	DWG. NO.	REV
		SCALE		SHEET